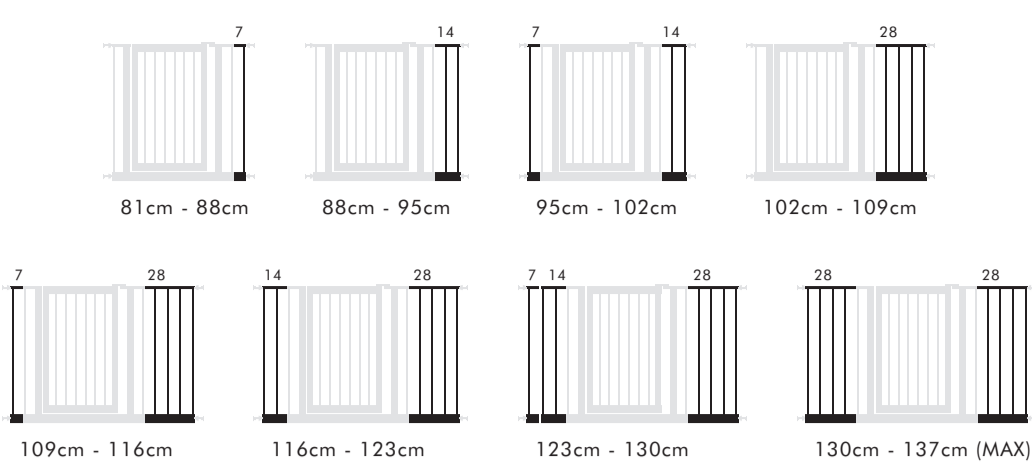
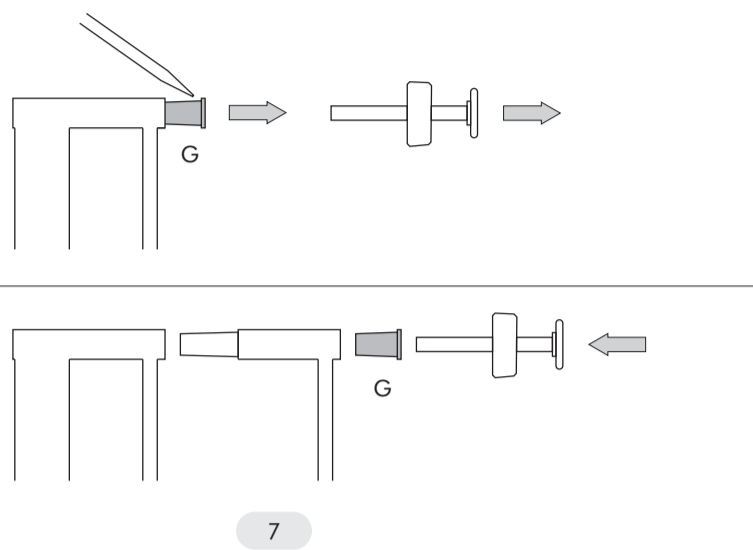


EXTENDING YOUR GATE



For maximum stability you should try and achieve your required width using a minimum number of extensions (i.e. 1 x 14cm is preferred to 2 x 7cm), and if 2 or more extensions are fitted on the same side make sure the 7cm extension is furthest from the gate (nearest the wall). Some suggested configurations are pictured above. To fit your extension system (available separately) first remove the two screw adjusters from the side of your gate. Remove the plastic bungs (G) from each corner of your gate, (you may need to prise the bung out using a flat screwdriver and tap lightly with a hammer). Push the extension into place and press the plastic bungs back into your extension. Slide the screw adjusters back into place and fit your safety gate as instructed in the FIXING YOUR GATE section. *Note: wall cups must be used when using an extension.* Please fit as described in the USING WALL CUPS section. If a second or third extension is required, repeat this procedure on the other side of your gate. Extensions can be purchased from our website at [www.lindam.com](http://www.lindam.com)



7

# Lindam

easy fit wood & metal easy close



## IMPORTANT KEEP FOR FUTURE REFERENCE

THIS SAFETY GATE IS SUITABLE FOR CHILDREN UP TO 24 MONTHS OF AGE  
 This gate complies to EN 1930:2000 when fitted as instructed  
 customer careline 0871 702 1000 (Mon - Fri, 10am - 4pm, UK only)  
 Lindam Limited Hornbeam Park Harrogate HG2 8PA England [www.lindam.com](http://www.lindam.com)  
 product code: 44334

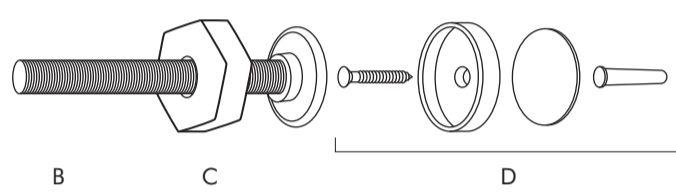
INTRODUCTION

Please take a few minutes to read your instructions fully to ensure the full safety benefit of your gate. Please note: In the event of damage or loss, parts are only available from Lindam. For assistance please visit [www.lindam.com](http://www.lindam.com) or call 0871 702 1000 (UK Only, Mon-Fri, 10am-4pm)

Check that you have all the contents as per the list.

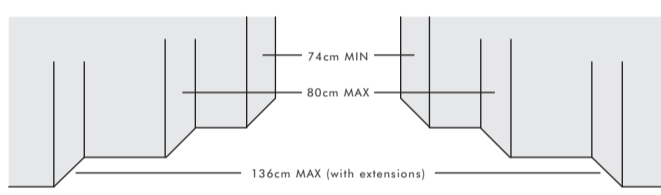
- A) Your safety gate
- B) 4 screw adjusters
- C) 4 locking nuts (spanner included)
- D) Bag containing 2 wall cups with 2 screws, 2 wall plugs and 2 sticky pads.

If any component parts are missing or damaged do not use your gate.



WHERE TO FIX YOUR GATE

Your gate is ideal for restricting access to any room in your home from kitchens to bedrooms and may be used to span hallways, doorways or appropriate stairways. Check the width of the opening in which you intend to fit your Lindam Gate. The smallest opening is 74cm and the largest opening is 80cm. **IMPORTANT:** Do not attempt to use this gate in openings larger than 80cm. For openings greater than 80cm, extensions are available from Lindam (see page 7). Due to the nature of the pressure fit fixing method this gate must be used in a strong and secure opening. Ensure all surfaces are clean and free of loose materials.



1

SAFETY TIPS

- This safety barrier will not necessarily prevent all accidents. Never leave children unattended.
- A daily check on the gate is recommended to ensure that your gate remains securely fixed.
- Eventually your child will reach an age at which they are capable of opening your gate. Children will develop physically and mentally at different rates, therefore it is important that you monitor your child's capabilities.
- Always fit your gate centrally within your doorway etc. This will help prevent it becoming dislodged in the event of a large impact.
- Never allow young children to swing on the gate.
- Ensure that the gate is properly closed at all times.
- The gate is designed for indoor use only.
- A swinging gate can trap small hands.
- For children over 24 months of age parental supervision is advised.
- Do not allow older children to climb on or over the gate as this can result in an accident.
- Do not remove the safety notices, you may not always be the user.
- If you require spare parts for your gate please obtain them direct from Lindam Ltd.
- Retain these instructions as you may wish to reposition the gate.
- **WARNING!** Incorrect fitting or positioning of this safety barrier can be dangerous
- **WARNING!** Stop using the barrier if the child is capable of climbing it.
- **WARNING!** Do not use the safety barrier if any components are damaged or missing.
- **WARNING!** Do not leave this gate open at any time. Remove the gate if not in use for long periods.
- **WARNING!** This barrier must not be fitted across windows

It should only take 5 minutes to fit your gate. We recommend that you carry out the installation away from young children as some of the smaller components may present a choking hazard when loose.

CLEANING

Simply wipe with a soft damp cloth. Do not use harsh or abrasive cleaning agents.

5

FIXING YOUR GATE

Slide the 4 screw adjusters into the plastic bungs at each corner of your gate. **Your gate must be fitted with wall cups**, these should be placed around the top 2 screw adjusters (F) and will be secured to your wall, doorway or stairway using the sticky pads or screws provided (Do not use sticky pads on wall paper or where there may be other loose materials).

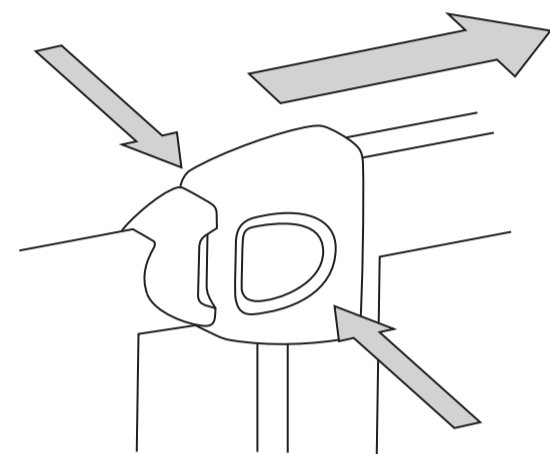
You should find fitting easier if you offer up the gate as instructed here, and then mark the position of the wall cups with a pencil before permanently securing them. Place the gate into the required opening, in the closed position. To ensure that you secure the gate correctly, begin with the screw adjusters at the bottom of the gate. Ensure that your gate is central, slide out the adjusters and secure by tightening the locking nuts. Next, adjust the top screw adjusters, once again ensuring that your gate is central. Tighten the locking nuts until the handle is aligned. Once the bars of the inner and outer frame are parallel you have correctly positioned your gate. Mark the position of the wall cups and remove your gate. Now you can permanently fix your wall cups with the sticky pads.

If using the screws, first drill a 1/4" (6mm) hole into your wall and insert the wall plug, then secure the wall cup with the screw. If you are drilling into plaster board you will need to purchase expandable wall plugs (available from DIY stores). Reposition the Safety Gate and turn the locking rings until the gate is fully secure. Always ensure that the gaps at either side are the same.

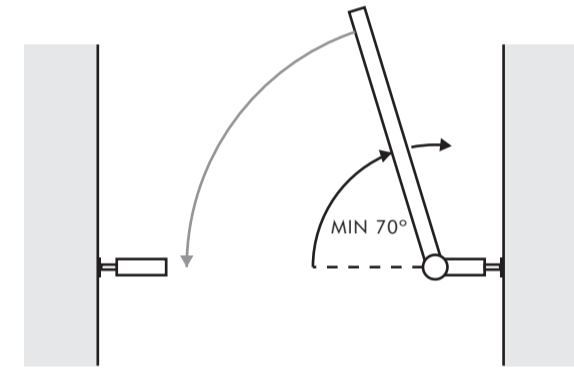
Check that your gate is securely fitted. This check should be repeated daily to ensure that your gate remains securely fixed and that all attachments and locking devices are operating correctly.

USING YOUR LINDAM SAFETY GATE

To open your gate: Squeeze the 2 buttons and pull back the handle.



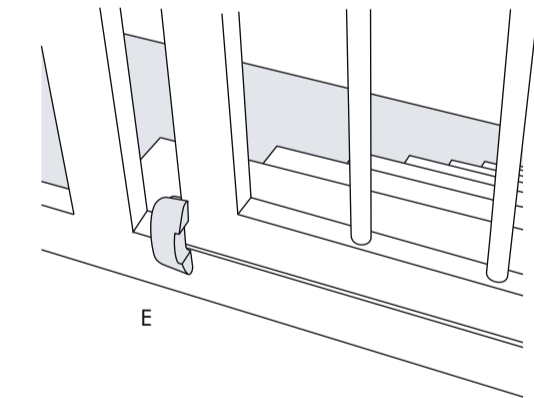
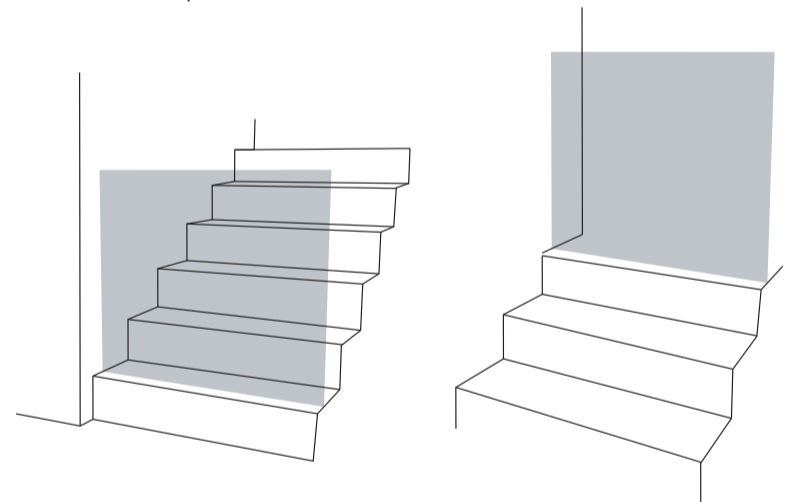
To close your gate: Once you have walked through the gate, check there is no one coming through behind you and push or swing the gate closed until it locks itself in the closed position. The gate will close itself if released from an opening angle of 70° or greater. Always check the gate has correctly located. There is a gate stop at the bottom of your gate which may be set to restrict the opening of the gate to one direction only. It also acts as a further locking device which should be used, especially on stairs (see page 2).



6

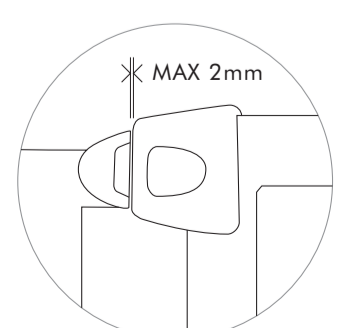
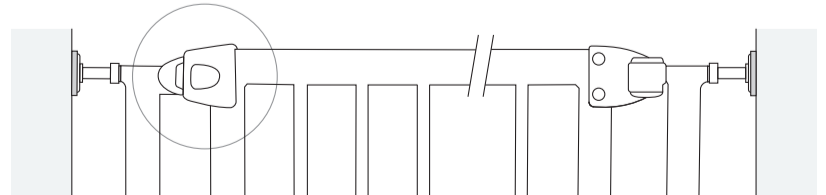
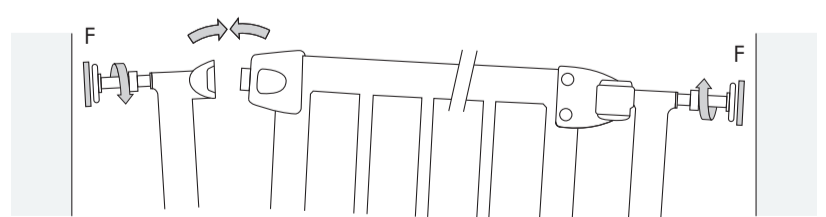
NOTES ON STAIRCASE POSITIONING

**WARNING:** The position of your safety barrier in relation to the stairs is very important for your child's safety. Your gate may be better positioned across your landing to prevent access to the stairs completely. If you do require your gate to be positioned at the top of the stairs to prevent your child descending, the gate must be fitted on the very top stair. You should turn down one gate stop (E) to prevent the gate swinging out over the stairs. The gate stop can be rotated if it is pulled out gently. It will then spring back and lock into position. If you intend to use the gate at the bottom of the stairs then it must be placed on the lowest stair, towards the front of the step, away from the 2nd step.



2

When passing through a gate at the top of a staircase, particular attention should be paid to the bottom bar of the U shaped frame to avoid tripping.



3

4