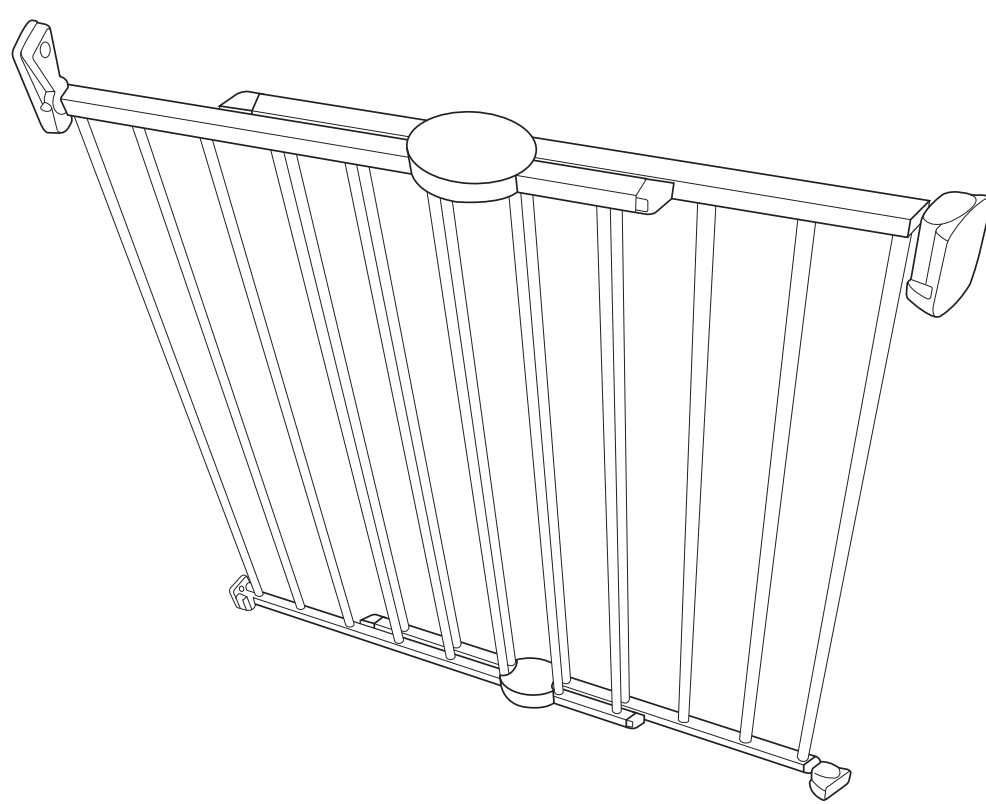


Lindam

extending metal



IMPORTANT! KEEP FOR FUTURE REFERENCE

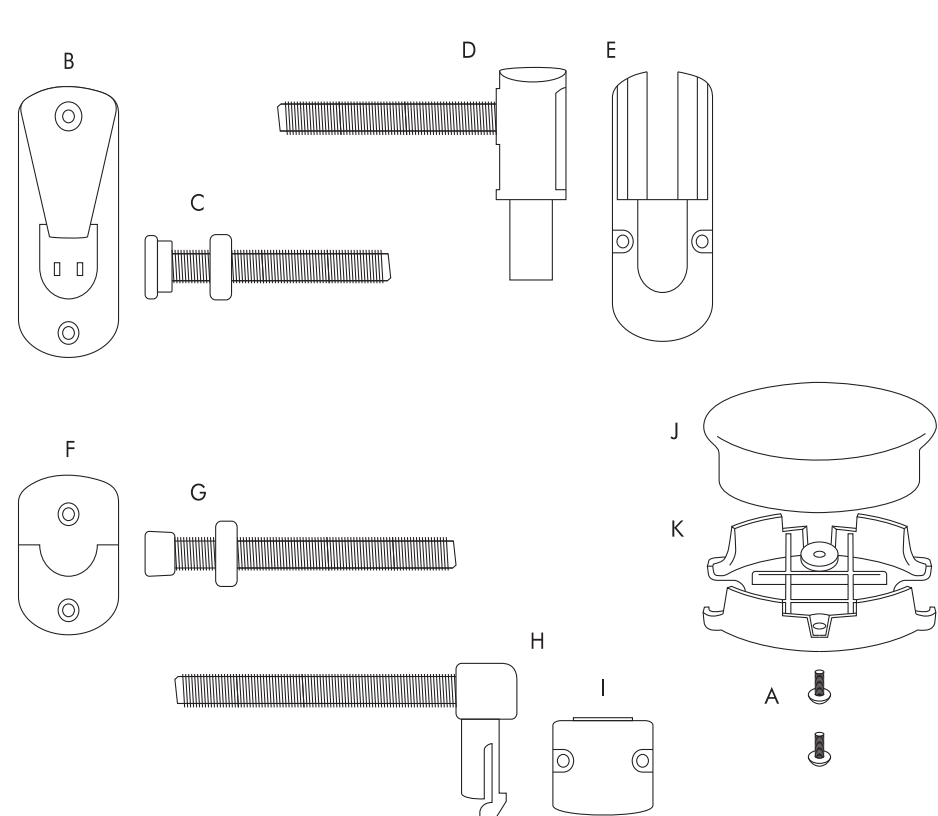
THIS SAFETY GATE IS SUITABLE FOR CHILDREN UP TO 24 MONTHS OF AGE
 This gate complies to EN 1930:2000 when fitted as instructed
 customer careline 0871 702 1000 (Mon - Fri, 10am - 4pm, UK only)
 Lindam Limited Hornbeam Park Harrogate HG2 8PA England www.lindam.com
 product code: 44342

11

GB ASSEMBLY INSTRUCTIONS

Please take a few minutes to read these instructions to ensure the full safety benefit of your purchase. Check that you have all the contents as per the list.

2 x Metal Gate Sections	1 x Lower Hinge Bar (H)
1 x Upper Catch (B)	1 x Lower Hinge (I)
1 x Upper Bar + Nut (C)	2 x Clamp - Upper (J)
1 x Upper Hinge Bar (D)	2 x Clamp - Lower (K)
1 x Upper Hinge (E)	4 x Clamp Screws (A)
1 x Lower Catch (F)	1 x Drilling Template
1 x Lower Bar + Nut (G)	1 x Spanner
	8 x Wood Screws + Plugs



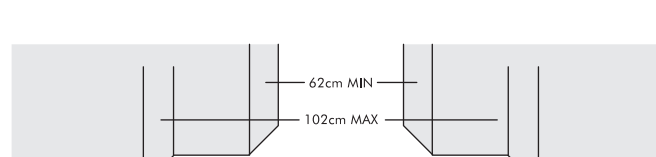
If any component parts are missing or damaged do not use your gate. Replacement parts can only be obtained from Lindam Ltd. For any enquiries please call the Lindam careline on: 0871 702 1000 (Monday - Friday 10am - 4pm) or email careline@lindam.com

1

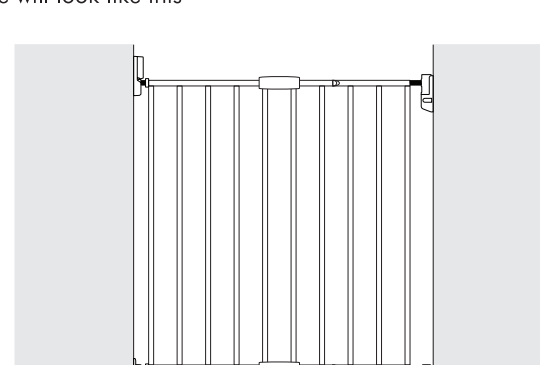
10

GETTING STARTED

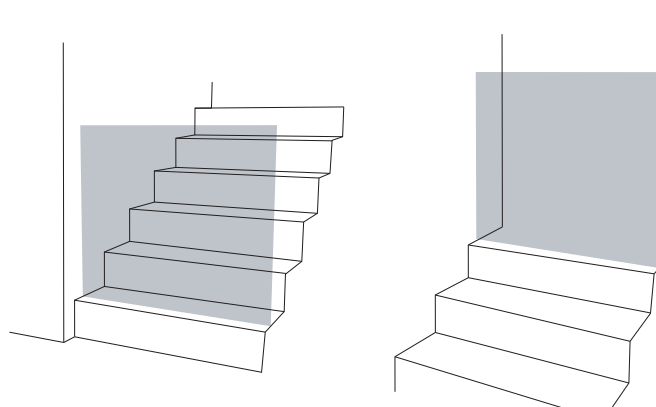
Check the width of the opening where you intend to fit your Lindam Gate. The smallest opening is 62cm and the largest opening is 102cm. IMPORTANT: Do not attempt to use this gate in openings larger than 102cm.



Your correctly fitted gate will look like this



WARNING: The position of your safety barrier in relation to the stairs is very important for your child's safety. Your gate may be better positioned across your landing to prevent access to the stairs completely. If you do require your gate to be positioned at the top of the stairs to prevent your child descending, the gate must be fitted on the very top stair. You should swing the gate away from your stairs when opening. If you intend to use the gate at the bottom of the stairs then it must be placed on the lowest stair, towards the front of the step, away from the 2nd step.



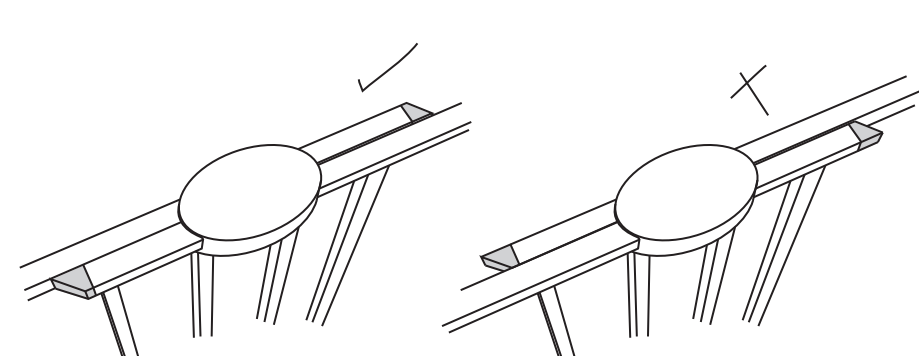
9

2

SETTING YOUR GATE SIZE

The 2 main gate sections need to be held together with the 2 clamps. First you must determine the correct size. You should set the gate as wide as possible in your doorway, making sure you allow a space of approximately 4cm for the catches and hinges.

Please note the position of the angled bungs in the diagram below. You must now clamp the sections together as shown, with the lower clamp (K) sitting centrally between the bars.



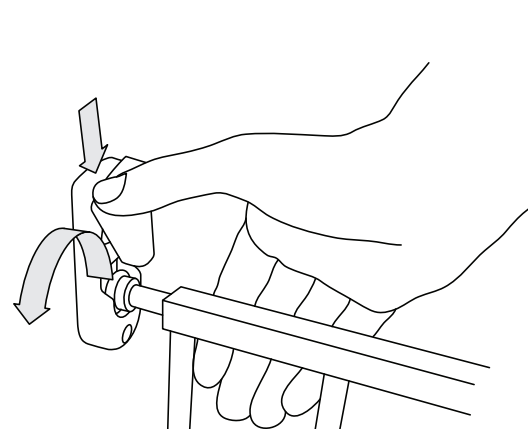
3

8

USING YOUR LINDAM SAFETY GATE

To open your gate: Press down on the upper catch with your thumb and pull the upper bar out of the catch with a tilting motion.

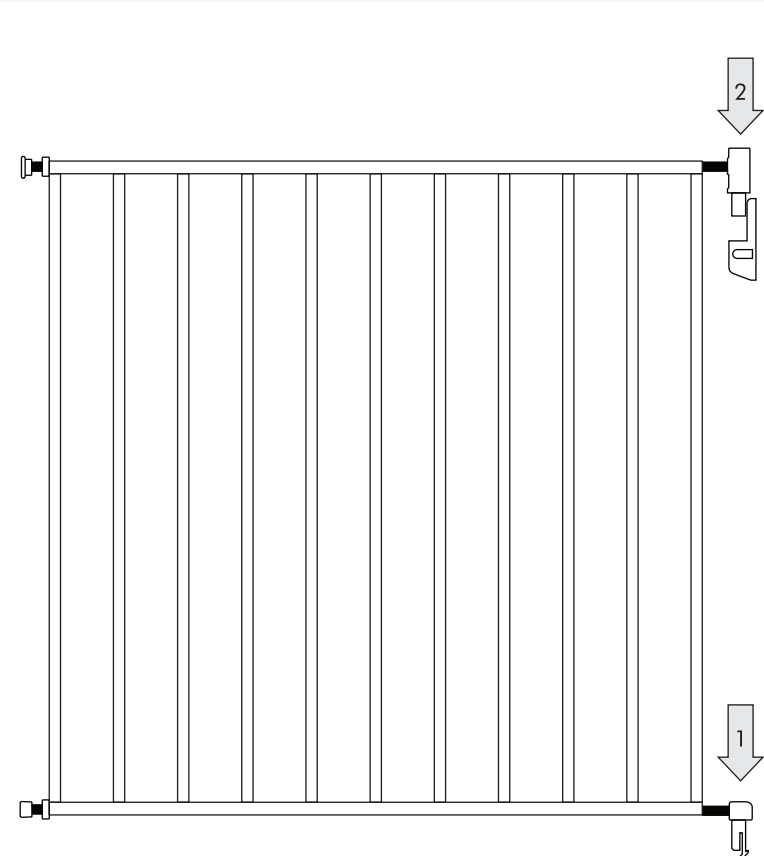
To close your gate: Simply lift the gate back into to catches. The upper catch will automatically lock the gate in the closed position. Ensure the upper and lower bars are correctly seated in the catches.



Check that your gate is securely fitted. This check should be repeated daily to ensure that your gate remains securely fixed and that all attachments and locking devices are operating correctly.

7

HANGING YOUR GATE

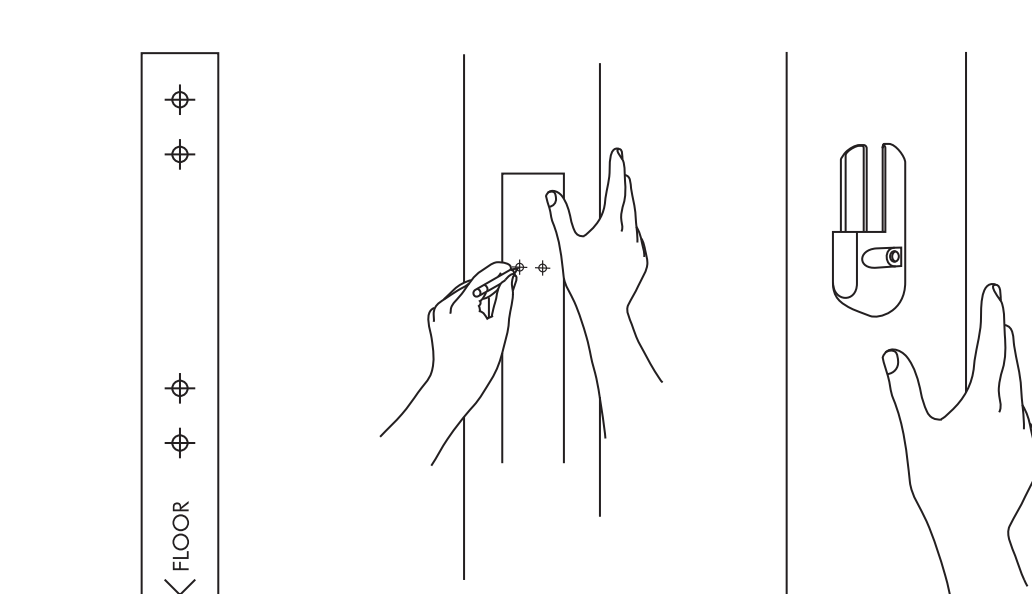


Important! When hanging your gate on its hinges take care to align both the top and bottom hinges and wall brackets before lowering the gate. You may find it easier to lower the bottom section partially into its bracket before aligning the top section and pushing down until they are in place.

5

FIXING YOUR HINGES AND CATCHES

Cut out the templates provided. You will use these to mark the drilling position for your pilot holes (for a perfectly upright fixing you may wish to use a spirit level). Firstly decide which side you would like your gate to hinge from, then drill and fix your hinges (E and I). Attach your hinges using the most appropriate method from the list below. You can now hang your gate (see next page) and check your gate aligns with the catches template when closed. Because even modern homes do not have perfectly right angled walls, you may need to raise or lower the template slightly before marking and drilling for the catches.



WOOD FIXING:

Drill 2mm pilot holes and use the wood screws provided directly into the wood.

PLASTER WALL FIXING:

Drill 6mm (1/4") holes and insert the wall plugs provided before screwing into these.

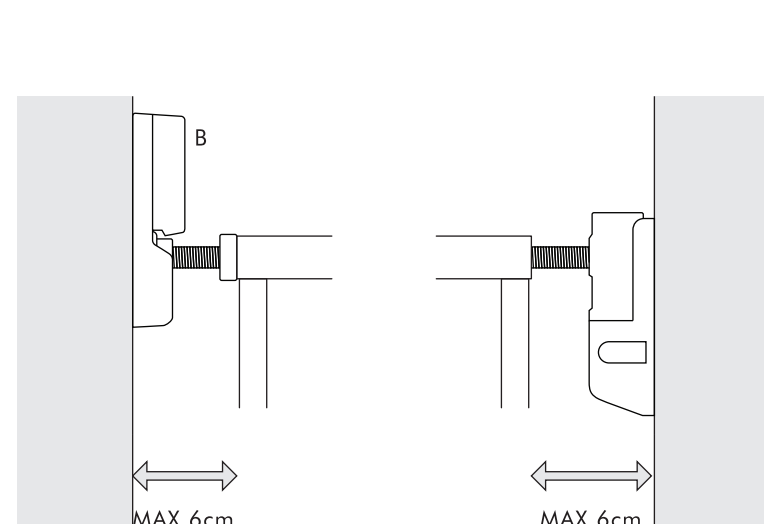
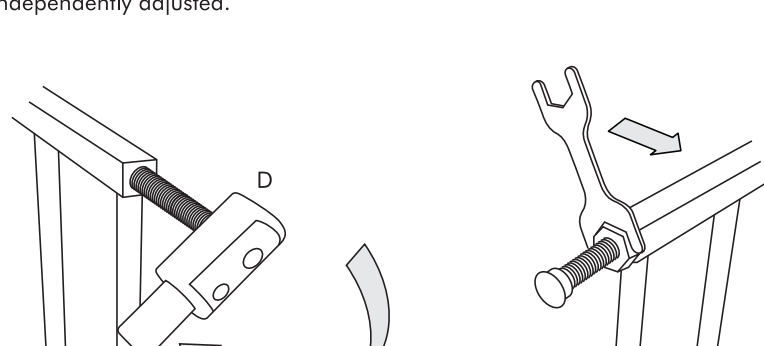
HOLLOW PLASTER BOARD WALLS:

Hollow walls constructed of plaster board require special fixing (not supplied) and you will need to purchase expandable wall plugs (available at DIY stores).

Please make sure you are fixing to a sound and secure surface.

4

You can now fine tune the fit of your gate. Using your Allen Key unscrew the upper hinge bar (D) out of the upper corner of your gate to a distance that will leave your gate central in your doorway. Screw the lower hinge bar (H) an equal distance from the lower corner. Hang the gate on your hinges. Unscrew the upper bar from the upper corner of your gate until it sits securely in the upper catch (B) when the gate is closed. Secure with the nut and spanner. Repeat with the lower bar (G) in the lower corner. Ensure your gate hangs level and upright and that the space between the gate frame and your wall is no greater than 6 cm. To compensate for an uneven wall or skirting board all 4 corners of the gate can be independently adjusted.



6