

When used as a playpen:

- Do not leave anything in the play pen which may provide a foothold or create a danger of suffocation or strangulation.
- Please check regularly that all assembly fittings are tightened properly
- Please be aware the risks of placing the playpen or barrier too close to open fires or other sources of strong heat such as electric bar or gas fires
- Do not use the playpen if any part is broken, torn or missing
- When used as a playpen, please use the Lindam play mat base at all times

When used as a safety barrier:

- **WARNING:** Incorrect fitting or positioning of this safety barrier can be dangerous
- **WARNING:** Do not use the safety barrier if any parts are damaged or missing
- **WARNING:** The safety barrier must not be fitted across windows
- **WARNING:** Stop using barrier if child is capable of climbing it
- This safety barrier complies with EN 1930:2000
- Only 5 panels can be used as a safety barrier
- This safety barrier has been designed for use with children up to 24 months of age
- Do not allow older children to climb over the barrier
- Please check regularly to ensure that it is properly fixed and secure
- The safety gate is suitable for openings from 84cm to 321cm
- Requires a sound and secure wall for fixing

#### CLEANING

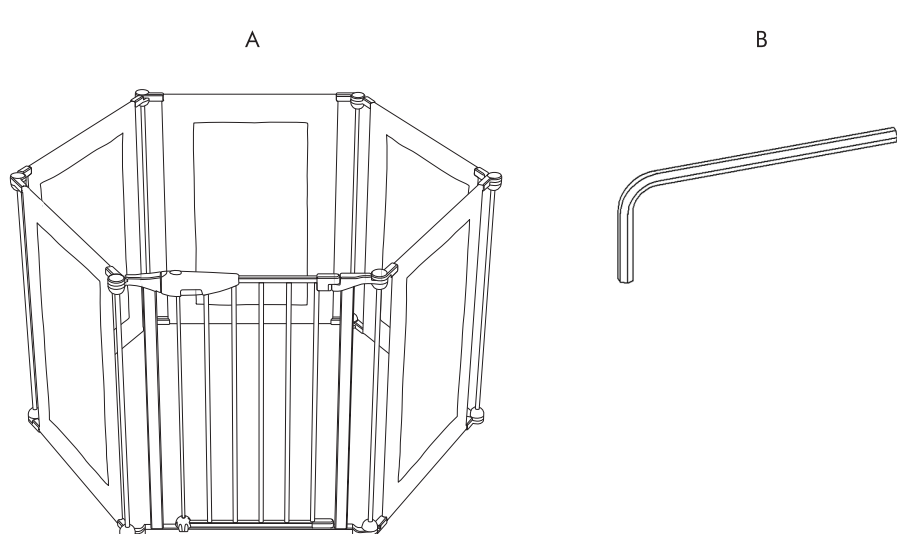
The play mat is washable. Machine wash on a low temperature (30°C) and drip dry, do not tumble dry. The plastic and metal sections can be cleaned with a damp cloth. Please do not use harsh or abrasive cleaning agents on these sections.

8

#### GB ASSEMBLY INSTRUCTIONS

Please read these instructions fully before you begin to assemble your play pen. You should have the following components.

- A) 1 x play pen  
B) 1 x allen key  
14 x screws and wall plugs  
1 x play mat

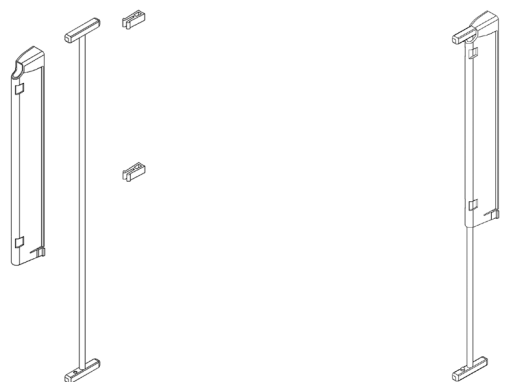


If any parts are missing do not attempt to use your play pen. Please call our customer careline on: 0871 702 1000 to obtain replacements. Only use parts supplied by Lindam with your playpen.

(Calls cost 10 pence per minute from a BT Landline. Calls from other networks and mobiles may cost more.)

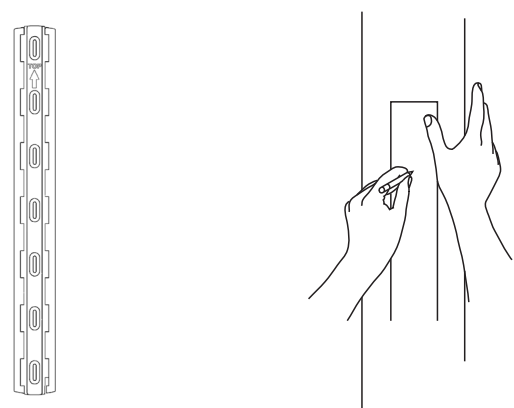
2

First assemble the wall fixing by clipping the wall covers to the I bars as shown, ensuring the small silver studs on the I bars are left showing.



Offer your play pen up to the wall to determine the fixing positions (you may wish to mark the centre position on your wall with a pencil).

Now you must fix your wall brackets. Hold your wall mount upright against the wall with the bottom 31.5cm from the floor, and mark the centre of each slot. Select the appropriate fixing method from the following list. This play pen must only be fixed to a solid and secure surface.



#### WOOD FIXING:

Drill 2mm pilot holes and use the wood screws provided screwing directly into the wood.

#### PLASTER WALL FIXING:

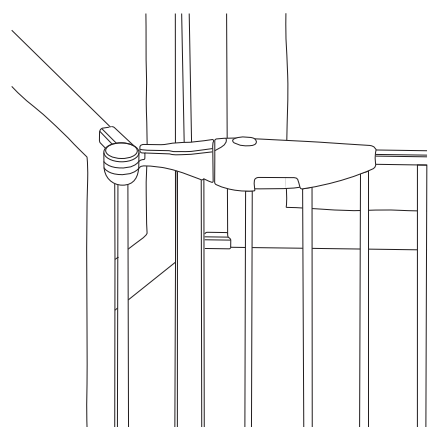
Drill 6mm (1/4") holes and insert the wall plugs provided before screwing into these.

#### HOLLOW PLASTER BOARD WALLS:

Hollow walls constructed of plaster board require special fixing (not supplied). You will need to purchase expandable wall plugs (available at DIY stores).

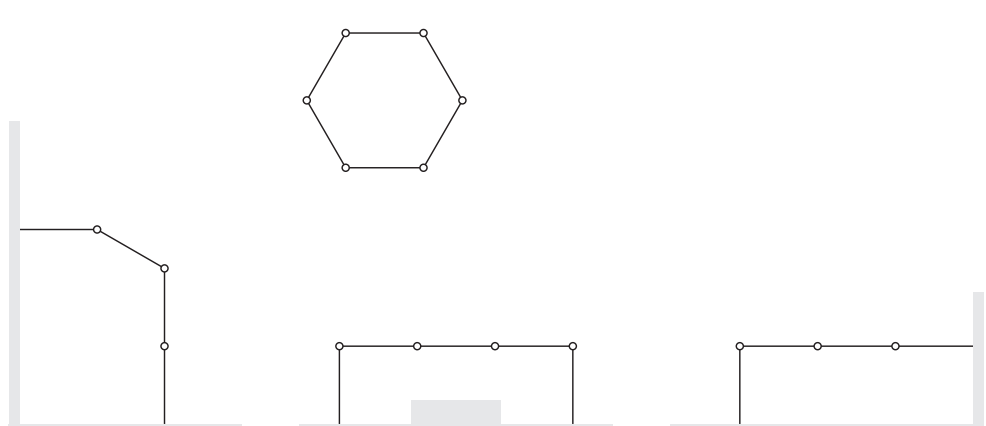
6

To help make life a bit easier we have built a child proof gate into one of our panels. To open your gate simply press the small button on the top and squeeze the handle. To close your gate simply push it closed until it clicks firmly in position. Always check that your gate is correctly closed and located top and bottom.



#### USING YOUR PLAY PEN AS A HEARTH GUARD OR STAIR GUARD

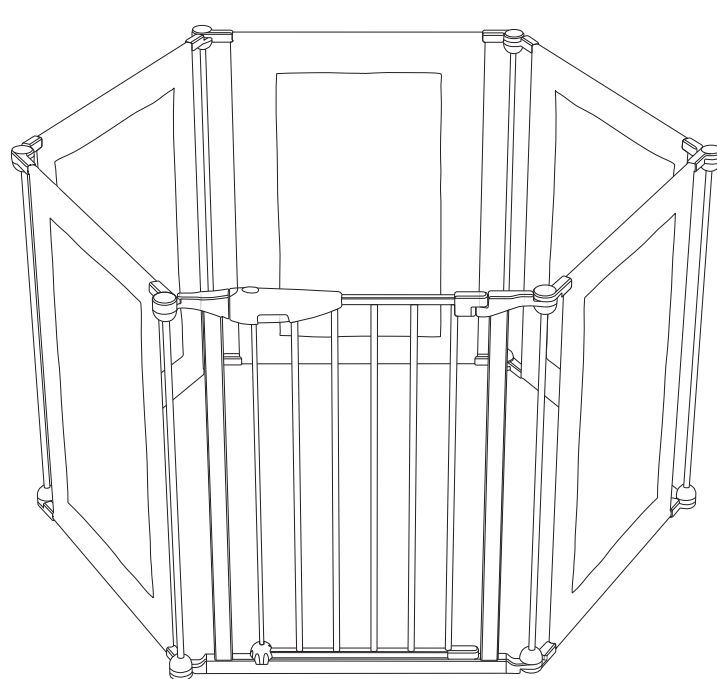
Up to 5 panels of your play pen may be used in open configurations providing the 2 end panels are securely fixed to a wall. Wall fixings are available from Lindam via the voucher enclosed or by calling the careline on: 08701 118 118.



4

# Lindam

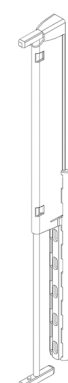
## safe & secure fabric play pen



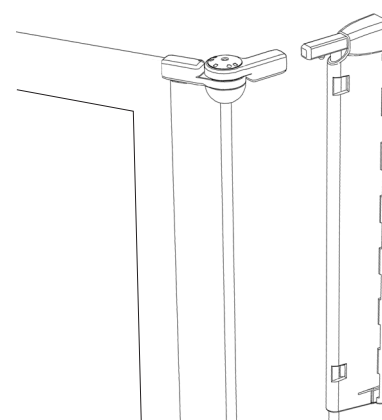
## IMPORTANT RETAIN FOR FUTURE REFERENCE READ CAREFULLY

Lindam Limited Hornbeam Park Harrogate HG2 8PA England [www.lindam.com](http://www.lindam.com)  
model: LD123 product code: 44373  
complies to BSEN 12227:1999

Slide the wall fixing down over the bracket to secure it to the wall. If you need to remove your wall fixings simply press in the latch at the bottom and slide the wall cover up.



Slide the hinges on the end panels of your pen onto the wall fixing until the small silver studs click into place.



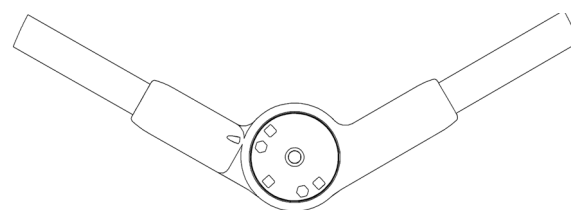
Check that your pen is securely fixed. Always ensure the gate is properly closed, and regularly check that your pen is securely fastened to the wall.

7

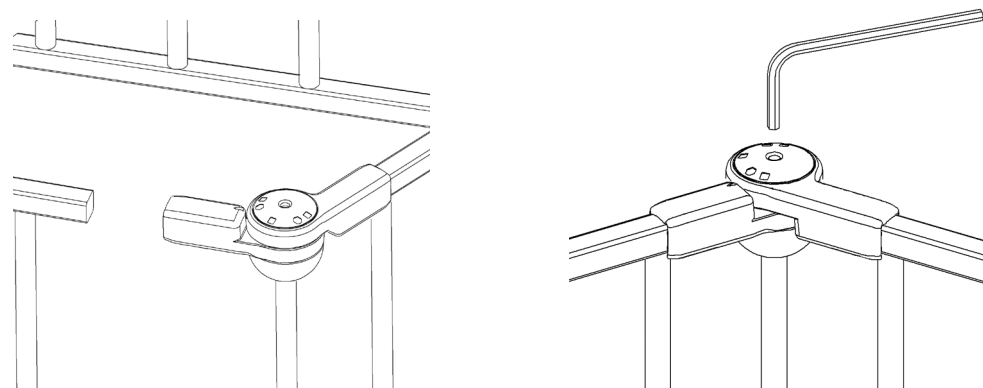
#### GETTING STARTED

You should assemble your play pen on a level and stable surface.

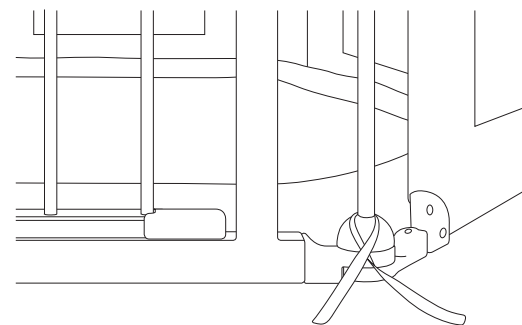
Cut the zip ties and dispose of them safely. Unfold your pen and set to the desired configuration. For a hexagonal playpen (the most common use) use the indicators on top of the hinges to help set the correct 60° angle between adjacent panels.



Push the top and bottom bars of the end panel into the hinges of the first panel until it clicks, to complete your pen. Using your allen key tighten the hinges to fix their position.



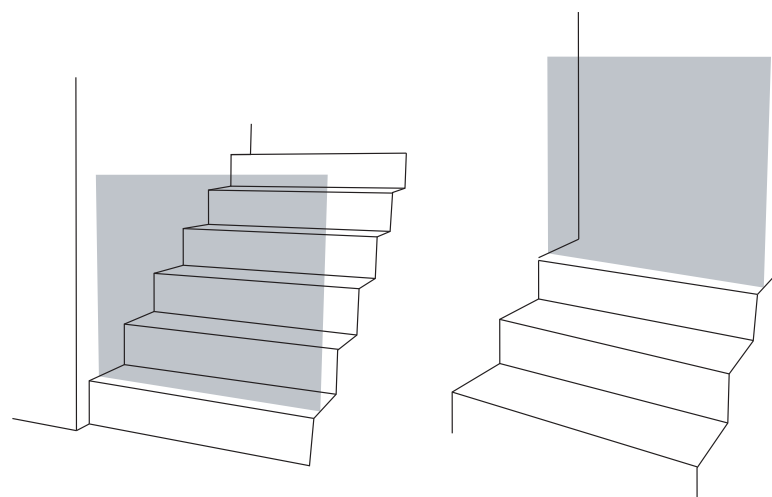
Your child's play mat can now be placed into the pen and secured to the bottom bars of each panel with the ties.



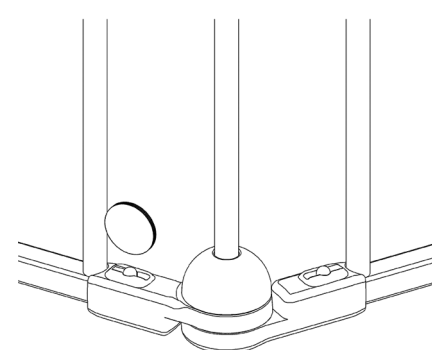
3

#### FIXING YOUR GATE ON STAIRS

Place the gate into the required opening, in the closed position. **WARNING:** The position of your safety barrier in relation to the stairs is very important for your child's safety. If you require your gate to be positioned at the top of the stairs to prevent your child descending, the gate must be fitted on the very top stair. If you intend to use the gate at the bottom of the stairs then it must be placed on the lowest stair. Position it towards the front of the step away from the 2nd step. When descending the stairs, the gate should always open towards you (away from the stairs)



To remove any unwanted panels, use a coin to press in the small silver studs at the top and bottom hinges and pull the panel out of the hinges. Ensure you leave the hinges on the ends of the panels you wish to use. Your wall fixings will clip into these hinges.



5